

## CONTROL ARM

**SAAB**

9-3 (YS3F,E79,D79,D75,E50)

09.2002 > 02.2015



| OCAP           | SIDE  | O.E.     |  |
|----------------|-------|----------|--|
| <b>0305182</b> | LH/RH | 12793813 |  |
|                |       |          |  |
|                |       |          |  |
|                |       |          |  |

|                  |                  |
|------------------|------------------|
| MATERIAL         | ALUMINUIM FORGED |
| PROCESSING       | -                |
| WEIGHT Kg:       | 1.01             |
| PACKAGING / Q.ty | BOX / 1          |
| AVAILABILITY:    | IN STOCK         |

NOTE:

## REPAIR KIT

**RENAULT**

CLIO II (BB-CB)

09.1998 > 02.2010



| OCAP             | SIDE  | O.E.       |            |
|------------------|-------|------------|------------|
| <b>0601300-K</b> | LH/RH | 7701471143 | 7701471144 |
|                  |       |            |            |
|                  |       |            |            |
|                  |       |            |            |

|                  |                       |
|------------------|-----------------------|
| MATERIAL         | STEEL + THERMOPLASTIC |
| PROCESSING       | -                     |
| WEIGHT Kg:       | 0.55                  |
| PACKAGING / Q.ty | BOX / 1               |
| AVAILABILITY:    | IN STOCK              |

NOTE:

## CONTROL ARM REPAIR KIT

**CITROEN**

BERLINGO

1997 > 2008

**CITROEN**

XSARA

1996 >

**PEUGEOT**

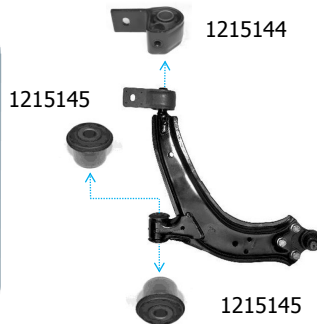
PARTNER

1997 >

**PEUGEOT**

306

1996 >



| OCAP           | SIDE  | O.E.              |                   |
|----------------|-------|-------------------|-------------------|
| <b>0905730</b> | LH/RH | 352359 + 96110483 | 352375 + 96110483 |
|                |       |                   |                   |
|                |       |                   |                   |
|                |       |                   |                   |

|                  |              |
|------------------|--------------|
| MATERIAL         | STEEL+RUBBER |
| PROCESSING       | -            |
| WEIGHT Kg:       | 0.44         |
| PACKAGING / Q.ty | BOX / 1      |
| AVAILABILITY:    | IN STOCK     |

NOTE: Control arms ref.

0780072 RH -> OE 3521A6 / 3521C4

0790072 LH -> OE 350E1

## CONTROL ARM REPAIR KIT

**CITROEN**

BERLINGO

04.2008 >

**CITROEN**

C4

2005 >

**PEUGEOT**

PARTNER

04.2008 >

**PEUGEOT**

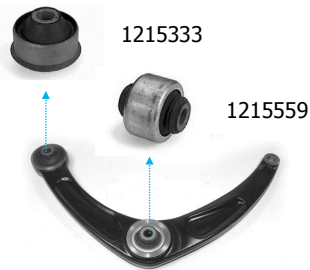
307-308

03.2003 > 10.2014

0905731



Kit for control arms RH+LH



| OCAP           | SIDE  | O.E.            |  |
|----------------|-------|-----------------|--|
| <b>0905731</b> | LH/RH | 352377 + 352391 |  |
|                |       |                 |  |
|                |       |                 |  |
|                |       |                 |  |

|                  |              |
|------------------|--------------|
| MATERIAL         | STEEL+RUBBER |
| PROCESSING       | -            |
| WEIGHT Kg:       | 0.47         |
| PACKAGING / Q.ty | BOX / 1      |
| AVAILABILITY:    | IN STOCK     |

NOTE: Control arms ref.

0381853 RH -> OE 3521.G8 / 3521.K3

0383149 RH -> OE 3521.R3 / 1610938180

0391853 LH -> OE 3520.K8 / 3520.P3

0393149 LH -> OE 3520.V2

# CONTROL ARM REPAIR KIT

**PEUGEOT**

406

11.1995 > 05.2004

0905732



Kit for control arms RH+LH



| OCAP           | SIDE  | O.E.            |  |
|----------------|-------|-----------------|--|
| <b>0905732</b> | LH/RH | 352361 + 352360 |  |
|                |       |                 |  |
|                |       |                 |  |
|                |       |                 |  |

|                  |              |
|------------------|--------------|
| MATERIAL         | STEEL+RUBBER |
| PROCESSING       | -            |
| WEIGHT Kg:       | 0.45         |
| PACKAGING / Q.ty | BOX / 1      |
| AVAILABILITY:    | IN STOCK     |

NOTE: Control arms ref.

0381552 RH -> OE 3521.C0 / 3521.80

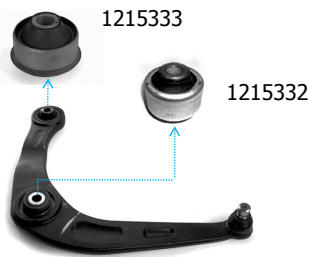
0391552 LH -> OE 3520.C0 / 3520C0

# CONTROL ARM REPAIR KIT

**PEUGEOT**

206

09.1998 > 02.2007



| OCAP           | SIDE  | O.E.            |  |
|----------------|-------|-----------------|--|
| <b>0905733</b> | LH/RH | 352376 + 352377 |  |
|                |       |                 |  |
|                |       |                 |  |
|                |       |                 |  |

|                  |              |
|------------------|--------------|
| MATERIAL         | STEEL+RUBBER |
| PROCESSING       | -            |
| WEIGHT Kg:       | 0.51         |
| PACKAGING / Q.ty | BOX / 1      |
| AVAILABILITY:    | IN STOCK     |

NOTE: Control arms ref.  
 0380487 RH -> OE 3521.C8  
 0390487 LH -> OE 3520.G8

## CONTROL ARM REPAIR KIT

**CITROEN**

C3 III

07/2016 >

**PEUGEOT**

207

02.2007 > 12.2015

**PEUGEOT**

208

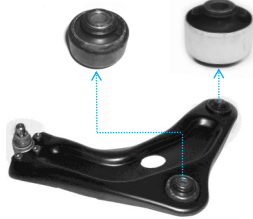
02/2012 >

0905734



Kit for control arms RH+LH

1215797



1215798



| OCAP           | SIDE  | O.E.            |                 |
|----------------|-------|-----------------|-----------------|
| <b>0905734</b> | LH/RH | 3523CE + 3523CC | 3523EC + 3523CC |
|                |       | 3523EE + 3523CC |                 |
|                |       |                 |                 |
|                |       |                 |                 |

|                  |              |
|------------------|--------------|
| MATERIAL         | STEEL+RUBBER |
| PROCESSING       | -            |
| WEIGHT Kg:       | 0.48         |
| PACKAGING / Q.ty | BOX / 1      |
| AVAILABILITY:    | IN STOCK     |

NOTE: Control arms ref.

0782432 RH -> OE 3521N8

0792432 LH -> OE 3520R7

## CONTROL ARM REPAIR KIT

**NISSAN**

KUBISTAR

08/2003 >

**RENAULT**

CLIO II (BB-CB)

09.1998 > 02.2010

**RENAULT**

KANGOO

02.2000 >

**RENAULT**

TWINGO II

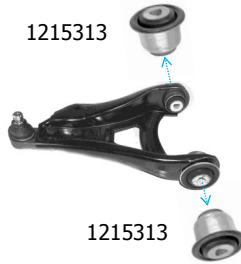
03/2007 > 2014

0905735



Kit for control arms RH+LH

1215313



1215313



| OCAP           | SIDE  | O.E.       |            |
|----------------|-------|------------|------------|
| <b>0905735</b> | LH/RH | 7700418941 | 7700424399 |
|                |       |            |            |
|                |       |            |            |
|                |       |            |            |

|                  |              |
|------------------|--------------|
| MATERIAL         | STEEL+RUBBER |
| PROCESSING       | -            |
| WEIGHT Kg:       | 0.63         |
| PACKAGING / Q.ty | BOX / 1      |
| AVAILABILITY:    | IN STOCK     |

NOTE: Control arms ref.

0783209 RH -> OE 7700420033

0783145 RH -> OE 8200197189

0782727 RH -> OE 82 00 942 396

0793209 LH -> OE 7700420032

0793145 LH -> OE 8200197181

0792727 LH -> OE 82 00 942 392



# CONTROL ARM REPAIR KIT

**RENAULT**

MEGANE I

09.1996 > 08.2003

**RENAULT**

19

1988 >

0905736



Kit for control arms RH+LH



| OCAP           | SIDE  | O.E.       |  |
|----------------|-------|------------|--|
| <b>0905736</b> | LH/RH | 7700789478 |  |
|                |       |            |  |
|                |       |            |  |
|                |       |            |  |

|                  |              |
|------------------|--------------|
| MATERIAL         | STEEL+RUBBER |
| PROCESSING       | -            |
| WEIGHT Kg:       | 0.75         |
| PACKAGING / Q.ty | BOX / 1      |
| AVAILABILITY:    | IN STOCK     |

NOTE: Control arms ref.

0780415 RH -> OE 7700436303

0790415 LH -> OE 7700436302

NOTE: NOTE: \* = THE ORIGINAL REFERENCE REFERS TO THE SUSPENSION ARM

## STEERING GAITER

**RENAULT**

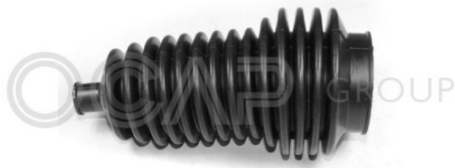
CLIO II (BB-CB)

09.1998 > 02.2010

**RENAULT**

THALIA (LB-LU)

08.2000 >



| OCAP           | SIDE  | O.E.       |  |
|----------------|-------|------------|--|
| <b>1211617</b> | LH/RH | 7701471141 |  |
|                |       |            |  |
|                |       |            |  |
|                |       |            |  |

|                  |               |
|------------------|---------------|
| MATERIAL         | THERMOPLASTIC |
| PROCESSING       | -             |
| WEIGHT Kg:       | 0.05          |
| PACKAGING / Q.ty | BOX / 1       |
| AVAILABILITY:    | IN STOCK      |

NOTE:

## BUSHING

**CHEVROLET**

AVEO (T300)

03.2011 >



| OCAP           | SIDE | O.E.       |  |
|----------------|------|------------|--|
| <b>1216169</b> |      | 95017035 * |  |
|                |      |            |  |
|                |      |            |  |
|                |      |            |  |

|                  |              |
|------------------|--------------|
| MATERIAL         | STEEL+RUBBER |
| PROCESSING       | -            |
| WEIGHT Kg:       | 0.271        |
| PACKAGING / Q.ty | BOX / 1      |
| AVAILABILITY:    | IN STOCK     |

NOTE: NOTE: \* = THE ORIGINAL REFERENCE REFERS TO THE SUSPENSION ARM

## BUSHING

**CHEVROLET**

AVEO (T300)

03.2011 >



| OCAP           | SIDE | O.E.       |  |
|----------------|------|------------|--|
| <b>1216170</b> |      | 95017034 * |  |
|                |      |            |  |
|                |      |            |  |
|                |      |            |  |

|                  |              |
|------------------|--------------|
| MATERIAL         | STEEL+RUBBER |
| PROCESSING       | -            |
| WEIGHT Kg:       | 0.429        |
| PACKAGING / Q.ty | BOX / 1      |
| AVAILABILITY:    | IN STOCK     |

NOTE: NOTE: \* = THE ORIGINAL REFERENCE REFERS TO THE SUSPENSION ARM

## FRONT SHOCK ABSORBER

**BMW**

X5 (E53)

01.2000 > 09.2006



| OCAP           | SIDE | O.E.        |             |
|----------------|------|-------------|-------------|
| <b>82374FL</b> | LH   | 31306754341 | 31306754343 |
|                |      | 31311096271 | 31316754341 |
| <b>82374FR</b> | RH   | 31306754342 | 31306754344 |
|                |      | 31311096272 | 31316754342 |

|                  |                            |
|------------------|----------------------------|
| MATERIAL         | STEEL                      |
| PROCESSING       | BLACK PAINTED-CATAPHORESIS |
| WEIGHT Kg:       | 5.41                       |
| PACKAGING / Q.ty | BOX / 1                    |
| AVAILABILITY:    | IN STOCK                   |

## FRONT SHOCK ABSORBER

**BMW**

X1 (E84)

10.2009 > 06.2015



| OCAP           | SIDE | O.E.        |             |
|----------------|------|-------------|-------------|
| <b>82566FL</b> | LH   | 31316789853 | 31316789857 |
|                |      | 31316851335 | 31316851339 |
| <b>82566FR</b> | RH   | 31316789854 | 31316789858 |
|                |      | 31316851336 | 31316851340 |

|                  |                            |
|------------------|----------------------------|
| MATERIAL         | STEEL                      |
| PROCESSING       | BLACK PAINTED-CATAPHORESIS |
| WEIGHT Kg:       | 3.40                       |
| PACKAGING / Q.ty | BOX / 1                    |
| AVAILABILITY:    | IN STOCK                   |